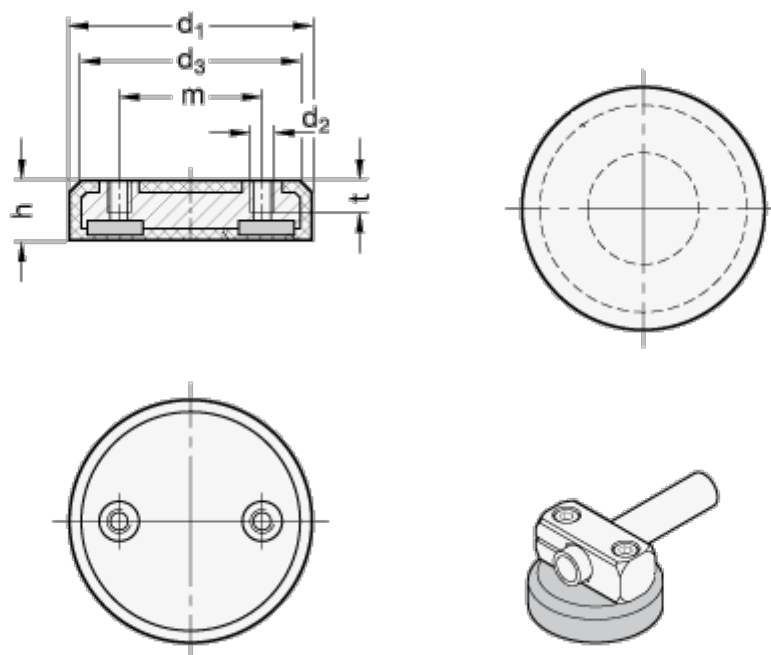


Article number: 20516ND5732M6

Description: E+G Magnet - female thread GN 51.6-ND-57-32-M6
Neodym, jern, bor - 80° C, 175N

Measures



| | |
|-----------------|--------|
| d1 | = 57 |
| d2 | = M6 |
| d3 | = 53 |
| h | = 11.3 |
| Holding force N | = 175 |
| m | = 32 |
| t | = 7 |